

KENWOOD

4-CHANNEL POWER AMPLIFIER

**KAC-Q74**

**INSTRUCTION MANUAL**

KENWOOD CORPORATION

**Take the time to read through this instruction manual. Familiarity with installation and operation procedures will help you obtain the best performance from your new 4-channel power amplifier.**

**For your records**

Record the serial number, found on the back of the unit, in the spaces designated on the warranty card, and in the space provided below. Refer to the model and serial numbers whenever you call upon your KENWOOD dealer for information or service on the product.

Model KAC-Q74 Serial number \_\_\_\_\_

# Safety precautions

---

## **▲WARNING**

**Take the following precautions to prevent fire and avoid personal injury :**

- When extending the power supply cable or ground cable, use 3 mm<sup>2</sup> (AWG12) or larger automotive grade cable to avoid cable deterioration or damage to the covering.
- Check that no metal objects (coins, tools, etc.) are left inside the unit to avoid short circuits.
- If you smell or see smoke, turn the power off immediately and consult your Kenwood dealer.
- Do not touch the unit during use because the surface of the unit becomes hot and may cause burns if touched.

## **▲CAUTION**

**Take the following precautions to keep the unit in proper working order.**

- Be sure the unit is connected to a 12V DC power supply with a negative ground connection.
- Do not open the top or bottom cover.
- Do not install the unit in places it is exposed to direct sunlight, high heat or humidity, water may splash over it, or dust exists.
- Be sure it is fastened securely and not exposed to excess vibration.
- If you need to replace the fuse, make sure the new fuse is of the same type and rating. Using a fuse of a different type of rating may damage your unit. The fuse rating is normally shown on the fuse and fuse box.

## **NOTE**

- If you have difficulty in installing this unit in your vehicle, contact your Kenwood dealer.

## **Cleaning the unit**

- If the the surface of the unit is dirty, wipe it clean with a silicon cloth or soft dry cloth with the power off.

## **▲CAUTION**

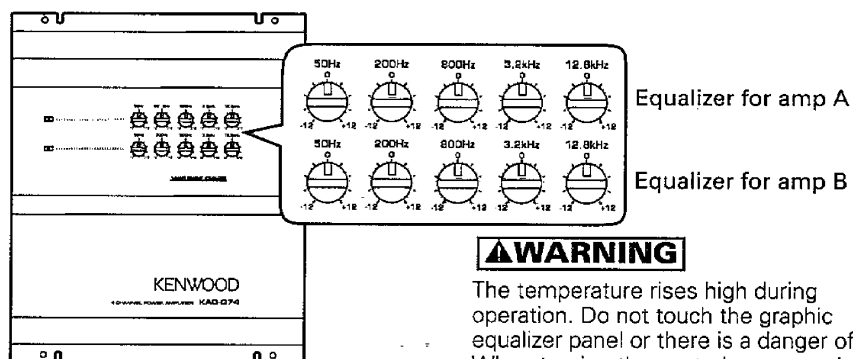
Do not use hard cloths or paint thinner, alcohol, or other volatile solvents. These may damage external surfaces or remove indicator characters.

## **FCC WARNING**

- This equipment may generate or use radio frequency energy. Changes or modifications to this equipment may cause harmful interference unless the modifications are expressly approved in the instruction manual. The user could lose the authority to operate this equipment if an unauthorized change or modification is made.

# Point 1 Graphic Equalizer

The KAC-Q74 is a 4-channel amplifier unit incorporating two graphic equalizers and two stereo amplifiers. One of these amplifiers is called amp A and the other is called amp B. A 5-band graphic equalizer is provided for each of amps A and B so different equalizer set-ups can be made for amps A and B.



## ⚠ WARNING

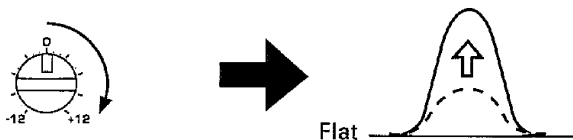
The temperature rises high during operation. Do not touch the graphic equalizer panel or there is a danger of burns. When turning the controls, use a coin or a flat-blade screwdriver.

## ■ Adjustment

Adjust the level of each frequency band as desired.

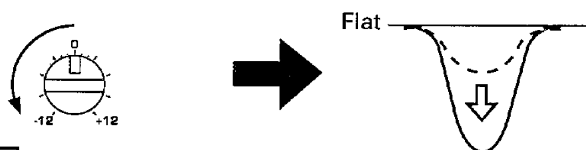
### • To increase the level:

Turn the control of the band you wish to adjust to the right.



### • To decrease the level:

Turn the control of the band you wish to adjust to the left.

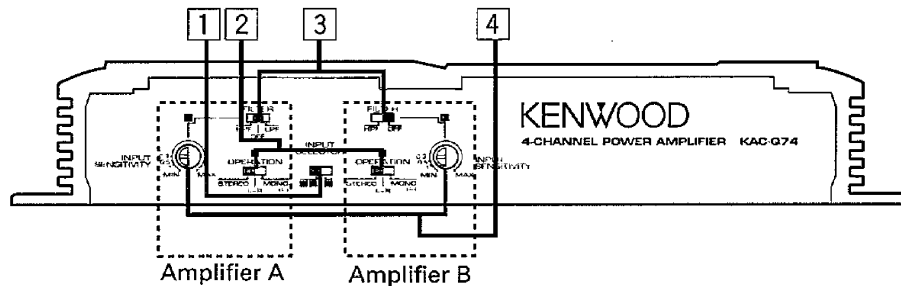


## NOTE

If the treble or bass control is increased on the center unit and the graphic equalizer levels are increased at the same time, the sound may be distorted. Please adjust the graphic equalizer taking the balance with the positions of the treble and bass controls of the center unit into consideration.

# Point 2 Flexibility

KAC-Q74 is compatible with a large variety of systems by combining the switches and functions described in the following.



## 1 Input selector

This switch selects the input method of the signals to be amplified by amps A and B.

- **A B** position

Different signals can be input to amps A and B. Amp A boosts the signal input to amp A and amp B boosts the signal input to amp B.

- **A** position

Both amps A and B boost only the signal input to amp A.

INPUT SELECTOR



## 2 Operation switch

This switch allows selection of the amplification method of input signals.

- **STEREO** position

The input left and right signals are amplified separately. Use this position when the unit is used as a stereo amplifier.

- **L + R** position

The input left and right signals are combined before being amplified. Use this position when the unit is used for subwoofer speakers or the L + R (monaural) sound is required.

- **MONO(L)** position

The input left signal is amplified twice the normal boost level. Use this position when the unit is used as a high-power monaural amplifier. (The input right signal is not output.)

OPERATION

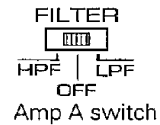


### 3 Filter switch

These switches allow filtering of the output signals.

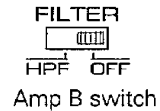
- **HPF(High Pass Filter) position (12dB/oct. slope)**

Only frequencies of 80Hz or higher are output.  
(Frequencies below 80Hz are cut. )



- **LPF(Low Pass Filter) position (18dB/oct. slope)**

Only frequencies of 80Hz or lower are output.  
(Frequencies above 80Hz are cut. )  
The LPF can be applied to the output of amp A only.

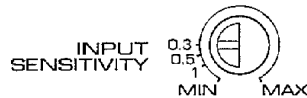


- **OFF position**

The original sound without filtering is output.

### 4 Input sensitivity

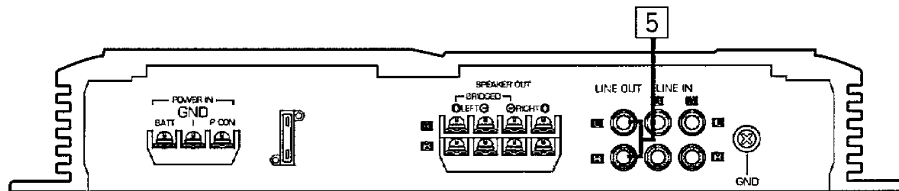
Adjust this control according to the pre-out level of the center unit connected to this amp.



Center unit pre-out level	Amplifier input sensitivity
300 mV	MAX (0.15 V)
800~1000 mV	0.3 V
1.5 V	0.5 V

#### NOTE

Refer to "Specifications" on the center unit's instruction manual about the pre-out level.



### 5 Line output

These jacks output respectively the signals input to amps A and B.  
They always output the stereo signals regardless of the position of the OPERATION switch.

# Point 3 Tri-mode

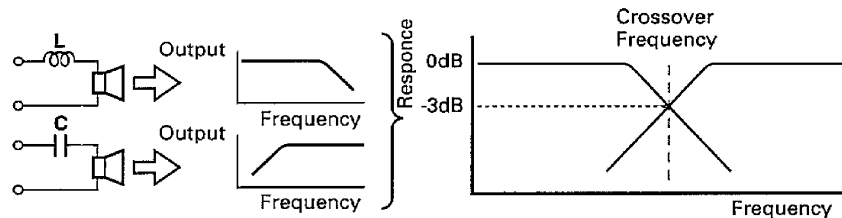
With the KAC-Q74, a subwoofer can be added easily to the speaker system by making use of the properties of coils and capacitors. This mode of operation is called Tri-mode.

## ■ Principle of Tri-mode

### • Properties of coils and capacitors

- Coil (L) : Passes low frequencies and blocks high frequencies. (Low pass)
- Capacitor (C) : Passes high frequencies and blocks low frequencies. (High pass)

### • Method of frequency band division using a coil and capacitor ... in case of 6 dB/oct. slope



### • Table of values for 6 dB/oct. slope

Cross over frequency	Speaker impedance			
	2ohm		4ohm	
	L(Coil)	C(Capacitor)	L(Coil)	C(Capacitor)
80Hz	4.0mH	1000μF	8.0mH	500μF
100Hz	3.2mH	800μF	6.4mH	400μF
150Hz	2.1mH	530μF	4.2mH	270μF
200Hz	1.6mH	400μF	3.2mH	200μF

- If the coils and capacitors are not available in the values listed, coils and capacitors with similar or close values can be used without affecting the performance in practical use.
- Coils and capacitors not listed in the above table can be determined using the following formulas.

$$C = \frac{159000}{f_c \times R} \text{ (}\mu\text{F)}$$

$f_c$ =Cut of Frequency (Hz)

$$L = \frac{159 \times R}{f_c} \text{ (mH)}$$

$R$ =Speaker Impedance ( $\Omega$ )

## ■ To use the Tri-mode configuration

- To use the Tri-mode configuration, set the OPERATION switch to the STEREO position.



### NOTE

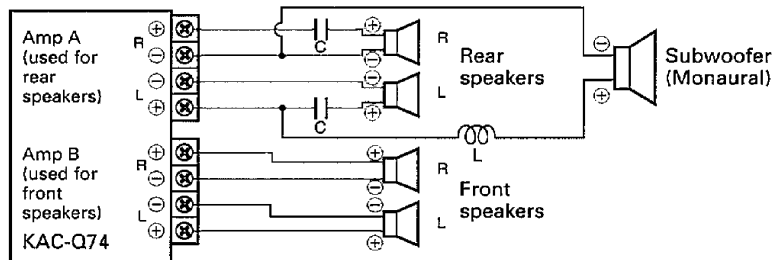
- When a subwoofer is connected with the Tri-mode configuration, the subwoofer function can be enhanced further by increasing low frequency bands with the graphic equalizers.

### CAUTION

- Compose the speaker system so that the overall speaker impedance seen from the amplifier unit is no less than 2 ohms. If the impedance is less than 2 ohms, excessive current may flow and the amplifier unit may be damaged.

## ■ Examples of systems using Tri-mode configuration

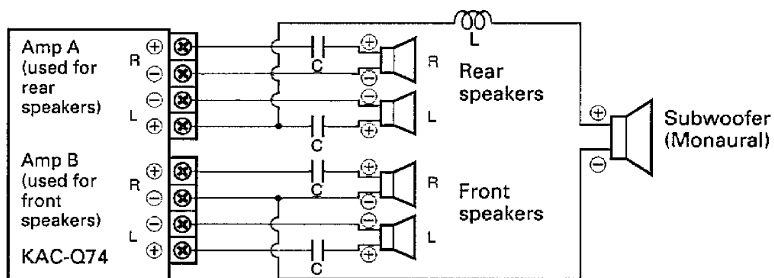
- When a subwoofer is added to the rear speaker system



### NOTE

Using the Tri-mode passive crossover network "KPX-T120" (Optional) makes the system's wiring easier.

- When a subwoofer is added to the whole speaker system



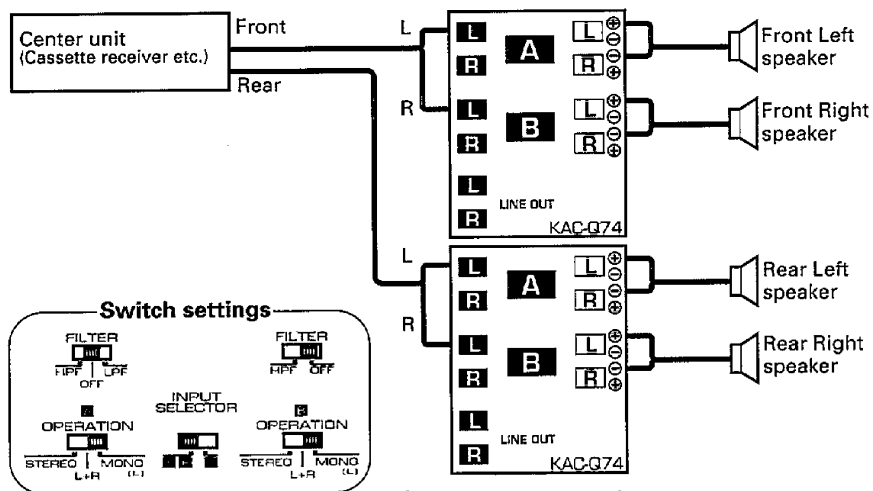
- The subwoofer is not affected by the controls on the center unit.

# System Examples

By combining the switches and functions of the KAC-Q74, you can implement a wide range of audio system configurations.

## ■ Example 1

A high-power 4-channel amplifier system can be implemented by combining two units of KAC-Q74.



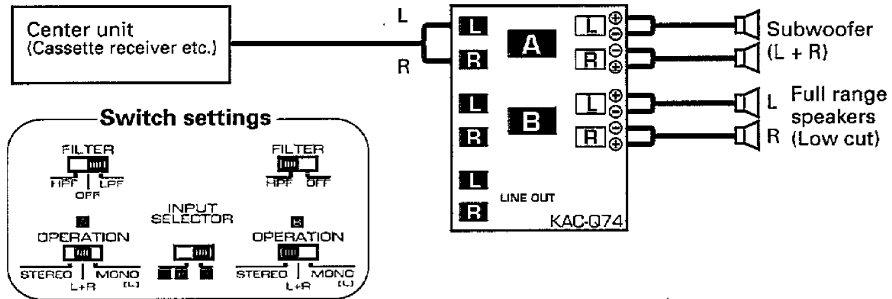
- Set the graphic equalizers of amps A and B to the same level.



## ■ Example 2

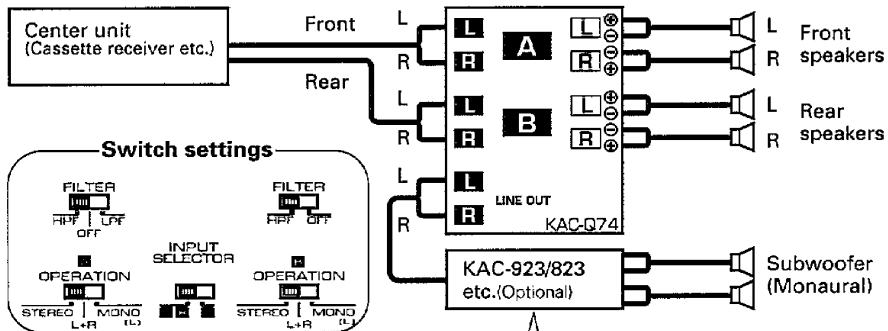
A multi-amp system can be implemented by using one single unit of KAC-Q74.

To amp A, apply LPF and connect a subwoofer to output low frequencies of 80 Hz and below. To amp B, apply HPF and connect full-range speakers to output frequencies of 80 Hz and above.



## ■ Example 3

Another amplifier can be added easily through the LINE OUT jacks.



- Set the Low pass filter switch to ON and set the frequency control to the 90Hz position.
- Use a power amplifier equipped with the low pass filter function (KAC-1023/923/823 etc.).
- For details on the system connection, power connection, etc., please refer to the instruction manual provided with your power amplifier.


# Installation procedure

1. Remove the ignition key and disconnect the negative (-) terminal of the battery to prevent short circuits.
2. Connect the input and output cables of the units.
3. Connect the speaker cables.
4. Connect the ground cable and power supply cable in the order listed.
5. Install the unit in the car.
6. Connect the negative (-) terminal of the battery.

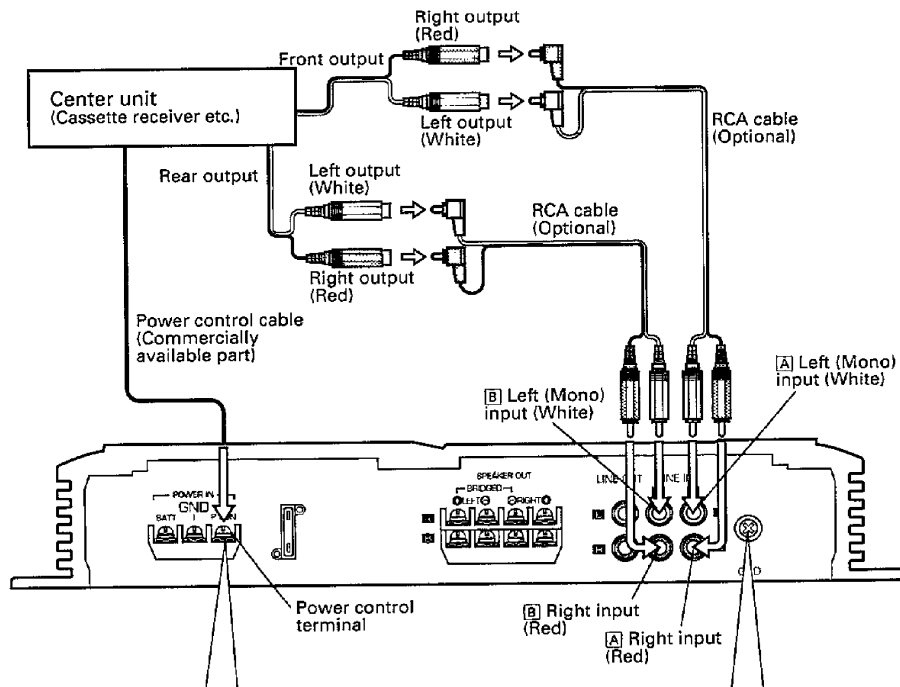
## **▲CAUTION**

- If the fuse blows, check cables for shorts, then replace the fuse with one of the same rating.
- Connect the speaker cables to appropriate speaker connectors separately. Sharing the negative cable of the speaker or grounding speaker cables to the metal body of the car can cause this unit to fail.
- After installation, check that the brake lamps, wipers, and wipers work properly.

# Accessories

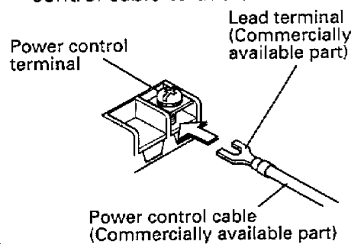
Part name	External view	Number of items
Self-tapping screw ( $\phi$ 4 × 20mm)		4

# System Connection



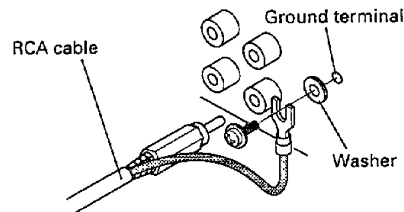
## Power control cable connection

- Connect the center unit's power control cable to this terminal.



## RCA cable ground cord connection

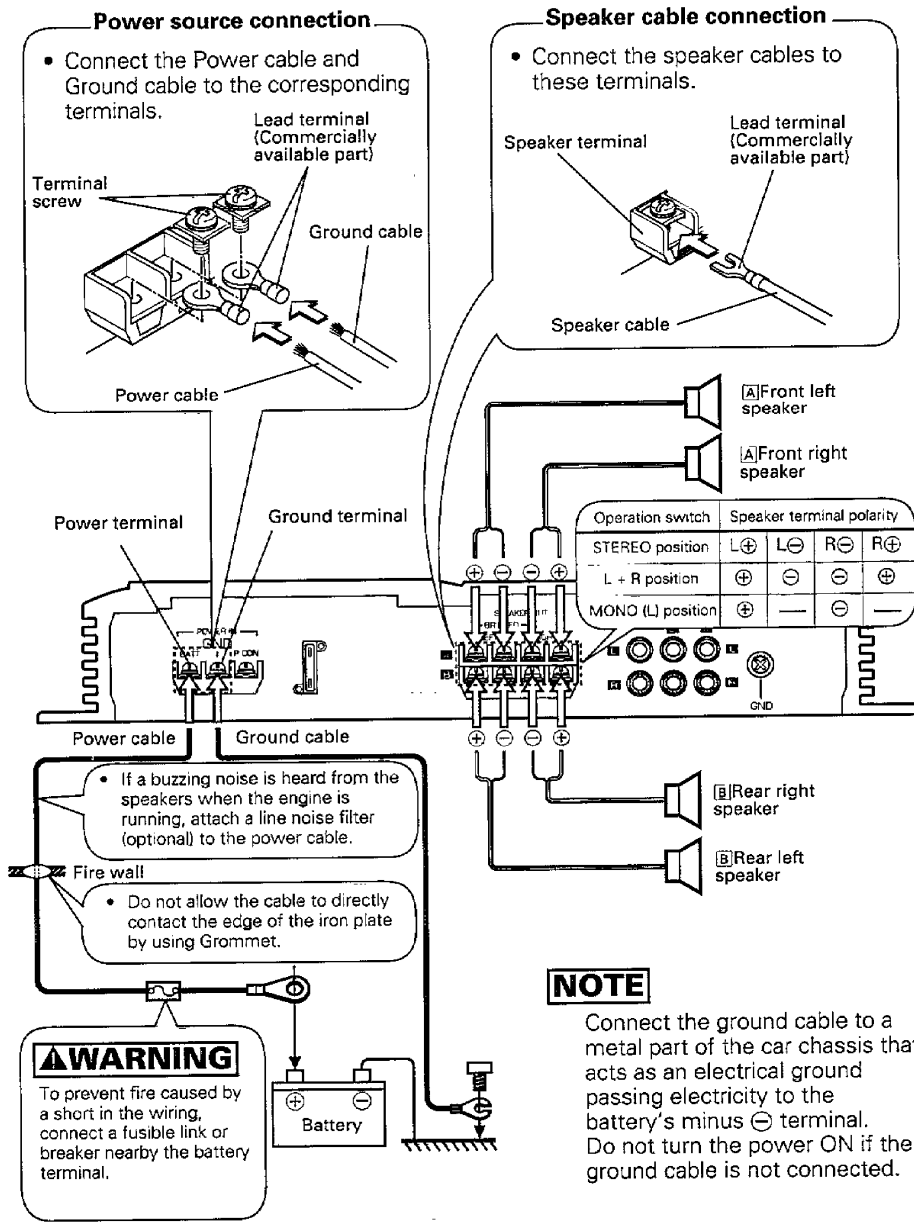
- When using an RCA cable with a ground cord attached, connect the ground cord to this terminal.



## NOTE

Do not use this terminal for power source grounding. This unit will not operate if the power source ground wire is connected to this terminal.

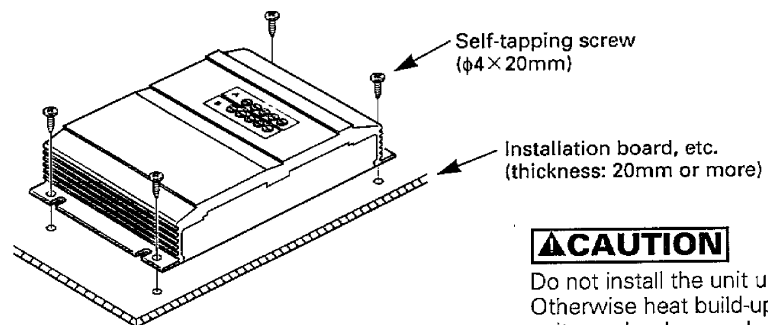
# Power and speakers cable connection



# Installation

---

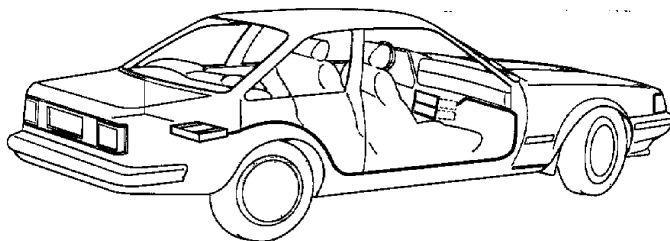
## ■ Installation



### **▲CAUTION**

Do not install the unit under the carpet.  
Otherwise heat build-up occurs and the  
unit may be damaged.

## ■ Installation location



- Since the power amplifier has no parts which require operation, it can be installed at a position away from the driver's seat without any hindrances. As generally accepted positions for its installation, places such as inside the boot, etc. can be considered.

### **▲CAUTION**

- Install this unit in a location which allows heat to easily dissipate. Once installed, do not place any object on top of the unit.
- After installing the unit, check to make sure that electrical equipment such as the brake lamps, wipers and wipers operate normally.
- Install the unit securely in a location that does not interfere with driving.

# Troubleshooting guide

Often, what appears to be a malfunction is due to user error. Before calling for service, please consult the following table.

Symptom	Cause	Remedy
No sound. (No sound from one side.)	A speaker cable has become unconnected.	Connect the speaker cable again.
The output level is small (or too large).	The input sensitivity adjusting control is not set to the correct position.	Adjust the control correctly referring to "Point 2. Flexibility".
The sound quality is bad. (The sound is distorted.)	The speaker cables are connected with wrong ⊕/⊖ polarity.	Connect them properly checking the ⊕ and ⊖ of the terminals and cables well.
	A speaker cable is pinched by a screw in the car body.	Connect the speaker cable again so that it is not pinched by anything.
Hiss noise is generated.	The levels of the high frequency bands are increased too much by the graphic equalizers.	Set the graphic equalizers to the optimum levels.
The subwoofer sound is not output (or too small).	The levels of the low frequency bands are decreased by the graphic equalizers.	Increase the level of the low frequency bands of the graphic equalizers.

# Specifications

---

Specifications subject to change without notice.

## Audio section

Max power output (4 $\Omega$ )	
4 Channel Mode .....	80 W $\times$ 4
3 Channel Mode .....	80 W $\times$ 2 + 180 W
2 Channel Mode .....	180 W $\times$ 2
Rated power output (4 $\Omega$ )	
4 Channel Mode .....	40 W $\times$ 4 (20 Hz ~ 20 kHz, less than 0.08% THD)
3 Channel Mode .....	40 W $\times$ 2 (20 Hz ~ 20 kHz, less than 0.08% THD) + 110 W $\times$ 1 (1 kHz, 0.8% THD)
2 Channel Mode .....	110 W $\times$ 2 (1 kHz, 0.8% THD)
Rated power output (2 $\Omega$ )	
4 Channel Mode .....	55 W $\times$ 4 (1kHz, 0.8% THD)
Frequency Response .....	6 Hz ~ 65 kHz (-3dB)
Signal to Noise Ratio .....	100 dB
Sensitivity (MAX) .....	0.15 V (rated output)
Sensitivity (MIN) .....	3.0 V (rated output)
Input impedance .....	10 k $\Omega$
Damping Factor (100 Hz) .....	More than 100
High Pass Filter Frequency (Amp A, B) .....	80 Hz (12 dB / oct.)
Low Pass Filter Frequency (Amp A) .....	80 Hz (18 dB / oct.)

## EQ section

Equalizer Center Frequencies .....	50 Hz, 200 Hz, 800 Hz, 3.2 kHz, 12.8 kHz
Frequency Range .....	- 10 ~ + 10 dB

## General

Operating voltage .....	14.4 V (11 ~ 16 V allowable)
Current consumption (1 kHz, 10% THD) .....	28 A
Dimensions (W $\times$ H $\times$ D) .....	280 $\times$ 50 $\times$ 310 mm (11 $\times$ 1-15/16 $\times$ 12-3/16 in.)
Weight .....	3.3 kg (7.2 lb)

KENWOOD



KENWOOD

AMPLIFICATEUR DE PUISSANCE 4 CANAUX

**KAC-Q74**

**MODE D'EMPLOI**

KENWOOD CORPORATION

©PRINTED IN JAPAN B64-0369-00 (K) (MC)  
95/12 11 10 9 8 7 6 5 4 3 2 1 94/12 11 10 9 8 7 6 5 4 3 2 1

# Précautions de sécurité

## **⚠️ AVERTISSEMENT**

**Pour éviter tout risque de feu et de blessures physiques, observer les précautions suivantes :**

- Lorsqu'on rallonge le câble d'alimentation, le câble d'alimentation de secours de la mémoire ou le fil de masse, utiliser des câbles de catégorie automobile d'une section de 3 mm<sup>2</sup> (AWG12) ou des câbles plus gros, pour éviter toute détérioration des câbles et tout dommage du revêtement externe.
- Vérifier que l'on n'a pas laissé d'objets métalliques (pièces de monnaie, outils, etc.) à l'intérieur de l'appareil, afin d'éviter les courts-circuits.
- Lors d'un dégagement d'odeur ou de fumée, éteindre immédiatement l'appareil et consulter son agent Kenwood.
- Ne pas toucher l'appareil quand il est en service car la température de sa surface est suffisamment élevée pour provoquer des brûlures.

## **⚠️ ATTENTION**

**Pour maintenir l'appareil en parfait état de marche, observer les précautions suivantes.**

- Bien vérifier que l'appareil est raccordé à une source d'alimentation CC de 12 V avec raccordement de masse négative.
- Ne pas ouvrir le couvercle du dessus ni le couvercle du fond.
- Ne pas installer l'appareil de façon qu'il soit exposé en plein soleil, à des chaleurs ou des humidités intenses, à des éclaboussements d'eau ou à la poussière.
- Veiller à ce qu'il soit fermement fixé et qu'il ne soit pas soumis à des vibrations violentes.

## 2 French

- Si l'on doit remplacer le fusible, bien veiller à ce que le nouveau fusible ait la même capacité nominale. Le fait d'utiliser un fusible de capacité nominale différente pourrait endommager l'appareil. La capacité nominale du fusible est généralement indiquée sur le fusible et sur la boîte à fusibles.

## **REMARQUE**

- Si l'on rencontre des difficultés pour installer l'appareil dans le véhicule, consulter son agent Kenwood.

## **Nettoyage de l'appareil**

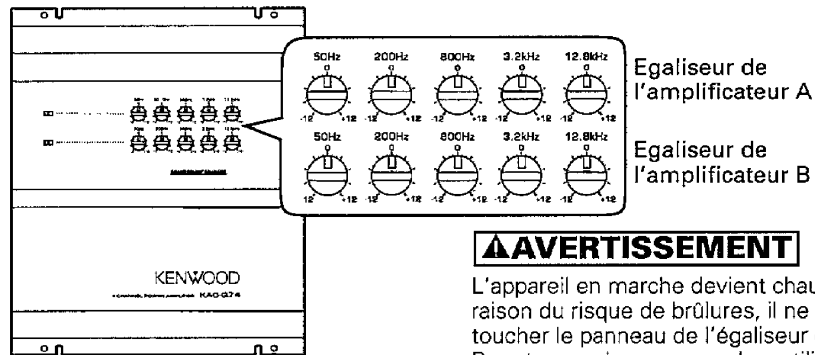
- Si la surface de l'appareil sale, l'essuyer avec un chiffon au silicone ou un chiffon doux et sec après avoir éteint l'appareil.

## **⚠️ ATTENTION**

Ne pas utiliser de chiffons durs ni de diluant pour peinture, alcool ou autre solvant volatil. Ces produits risqueraient d'abîmer les surfaces externes ou d'effacer les inscriptions.

# Argument 1 Egaliseur graphique

Le KAC-Q74 est un amplificateur 4-voies constitué de deux égaliseurs graphiques et de deux amplificateurs stéréo. L'un de ces amplificateurs est appelé amplificateur A, et l'autre amplificateur B. Chacun des amplificateurs A et B est doté de son propre égaliseur graphique 5-bandes, ce qui permet d'effectuer des réglages différents sur l'amplificateur A et sur l'amplificateur B.



## ⚠ AVERTISSEMENT

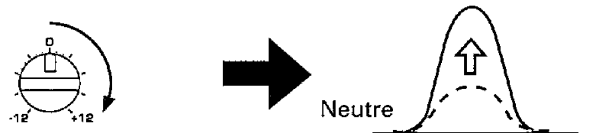
L'appareil en marche devient chaud. En raison du risque de brûlures, il ne faut pas toucher le panneau de l'égaliseur graphique. Pour tourner les commandes, utiliser une pièce de monnaie ou un tournevis à lame plate.

## ■ Réglage

Régler chaque bande de fréquence au niveau souhaité.

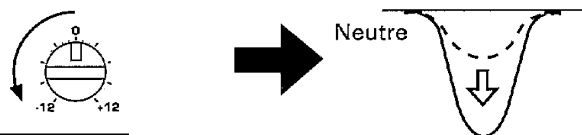
### • Pour hausser le niveau:

Tourner la commande de la bande à régler vers la droite.



### • Pour abaisser le niveau:

Tourner la commande de la bande à régler vers la gauche.

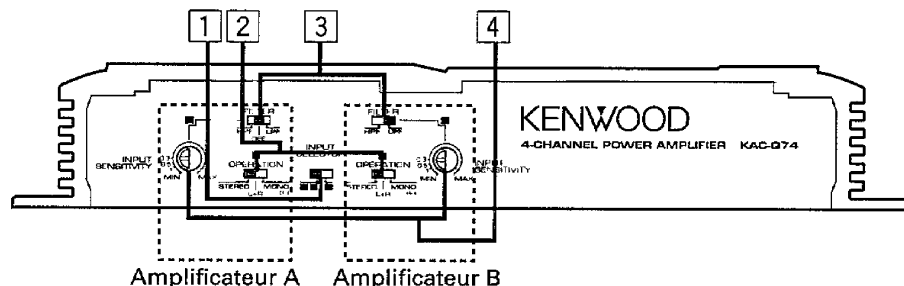


## REMARQUE

Une élévation du niveau des graves ou aigus à la fois sur l'appareil central et sur l'égaliseur graphique risque d'entraîner une distorsion du son. Les réglages sur l'égaliseur graphique doivent se faire en tenant compte de la position des commandes de réglage de tonalité de l'appareil central.

## Argument 2 Souplesse d'emploi

Le KAC-Q74 est compatible avec une grande variété de chaînes audio grâce aux différentes fonctions et combinaisons de position de commutateurs présentées ci-après.



### 1 Sélecteur d'entrée

Ce commutateur permet de choisir le mode d'entrée des signaux à amplifier dans les amplificateur A et B.

INPUT  
SELECTOR



- Position **A** **B**

On peut appliquer en entrée des amplificateur A et B des signaux différents, chacun des amplificateurs A et B amplifiant le signal qui lui est appliqué.

- Position **A**

Les deux amplificateurs A et B amplifient uniquement le signal appliqué en entrée de l'amplificateur A.

### 2 Commutateur OPERATION

Ce commutateur est destiné à la sélection de la méthode d'amplification des signaux d'entrée.



- Position **STEREO**

Les signaux d'entrée droit et gauche sont amplifiés séparément. C'est la position à utiliser lorsque l'appareil sert d'amplificateur stéréo.

- Position **L + R**

Les signaux gauche et droit sont mélangés avant amplification. C'est la position à utiliser lorsque l'appareil alimente des haut-parleurs d'extrême grave (subwoofer), ou bien pour la reproduction du son monaural (voie gauche + voie droite).

- Position **MONO(L)**

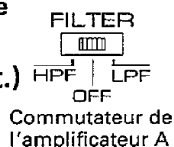
Le signal d'entrée gauche est amplifié au double du niveau d'amplification ordinaire. C'est la position à utiliser lorsque l'appareil sert d'amplificateur monaural de grande puissance. (Le signal d'entrée droit n'est pas reproduit.)

### 3 Commutateurs des filtres

Ces commutateurs sont destinés au filtrage des signaux de sortie.

- **Position HPF (filtre passe-haut) (pente 12dB/oct.)**

Seules des fréquences égales ou supérieures à 80Hz sont émises. (Les fréquences inférieures à 80Hz sont supprimées.)



- **Position LPF (filtre passe-bas) (pente 18dB/oct.)**

Seules des fréquences égales ou inférieures à 80Hz sont émises. (Les fréquences supérieures à 80Hz sont supprimées.)



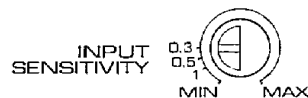
- **OFF position**

Le son restituée est le son d'origine, sans filtrage.

### 4 Sensibilité d'entrée

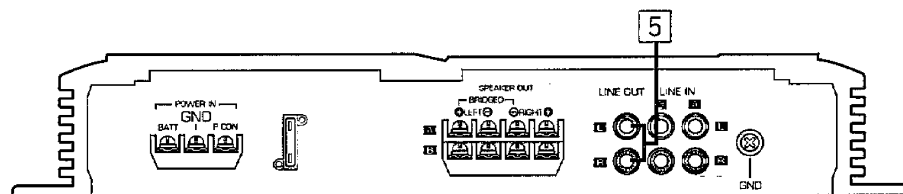
Placer cette commande sur la position qui convient en fonction du niveau du pré-amplificateur de l'amplificateur central raccordé à cet amplificateur.

Niveau de sortie de préamplificateur de l'appareil central	Sensibilité d'entrée de l'amplificateur
300 mV	MAX (0.15 V)
800~1000 mV	0.3 V
1.5 V	0.5 V



#### REMARQUE

Voir les "Fiche technique" au manuel d'emploi d'unité centrale traitant du niveau pré-sortie.



### 5 Sortie de ligne

Les signaux disponibles à ces prises sont respectivement les signaux d'entrée des amplificateurs A et B.

Ces signaux de sortie sont toujours stéréo, quelle que soit la position du commutateur OPERATION.

# Argument 3 Le Tri-mode

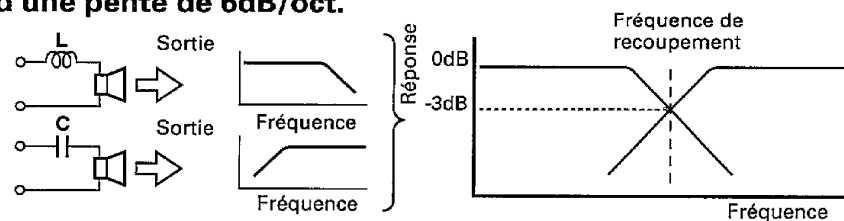
Avec le KAC-Q74, il est facile d'ajouter au système de haut-parleurs un haut-parleur d'extrême grave en mettant à profit les propriétés des bobines et des condensateurs. Ce mode de fonctionnement s'appelle le Tri-mode.

## ■ Principe du Tri-mode

### • Propriétés des bobines et des condensateurs

- Self (L) : Elle laisse passer les fréquences graves mais bloque les fréquences aiguës (filtre passe-bas).
- Condensateur (C) : Il laisse passer les fréquences aiguës mais bloque les fréquences graves (filtre passe-haut).

### • Méthode de division de la bande des basses fréquences au moyen d'une bobine et d'un condensateur ... dans le cas d'une pente de 6dB/oct.



### • Table de valeurs pour une pente de 6 dB/oct.

Fréquence de recoupement	Impédance du haut-parleur			
	2ohm		4ohm	
	L(Self)	C(Condensateur)	L(Self)	C(Condensateur)
80Hz	4.0mH	1000µF	8.0mH	500µF
100Hz	3.2mH	800µF	6.4mH	400µF
150Hz	2.1mH	530µF	4.2mH	270µF
200Hz	1.6mH	400µF	3.2mH	200µF

- Si les bobines et les condensateurs ne sont pas disponibles dans les valeurs énumérées, des bobines et condensateurs avec des valeurs similaires ou proches peuvent être utilisés sans affecter les performances pratiques.
- Pour déterminer la valeur d'une self ou d'un condensateur ne figurant pas dans le tableau ci-dessus, utiliser les formules suivantes.

$$C = \frac{159000}{f_c \times R} \text{ (}\mu\text{F)}$$

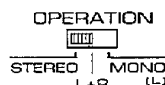
$$L = \frac{159 \times R}{f_c} \text{ (mH)}$$

$f_c$ =fréquence de coupure (Hz)

$R$ =Impédance du haut-parleur ( $\Omega$ )

## ■ Mode d'emploi de la configuration Tri-mode

- Lorsqu'on utilise la configuration Tri-mode, mettre le commutateur OPERATION en position STEREO.



### REMARQUE

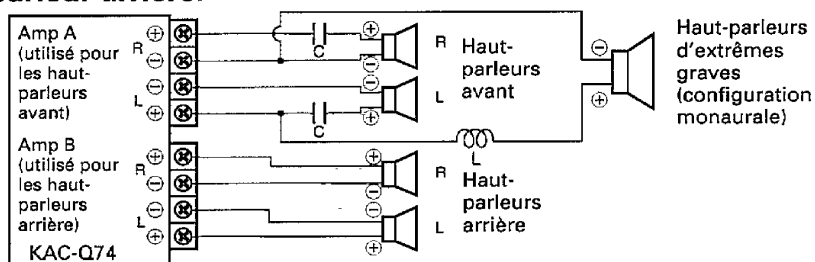
- Avec un haut-parleur d'extrême grave raccordé selon la configuration Tri-mode, l'effet de ce haut-parleur sera plus sensible si on hausse le niveau dans les bandes des basses fréquences au moyen des égaliseurs graphiques.

### ATTENTION

- Le système de haut-parleurs doit être agencé pour que l'impédance de l'ensemble de haut-parleurs raccordés à l'amplificateur ne soit pas inférieure à 2 ohms. Si l'impédance tombe en-dessous de 2 ohms, l'amplificateur risque d'être endommagé par le trop fort courant qui le traverse.

## ■ Exemples de systèmes en configuration Tri-Mode

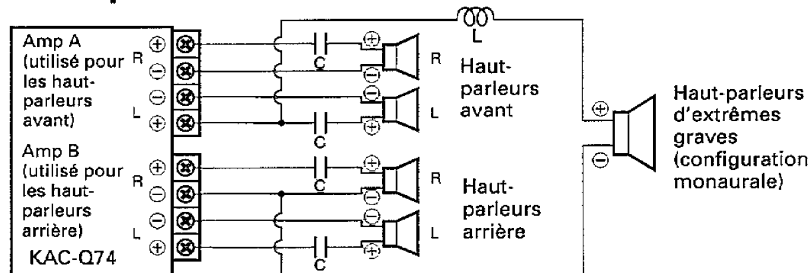
- Lorsqu'un subwoofer est ajouté au système de haut-parleur arrière.



### REMARQUE

Le recours au circuit séparateur passif trimodal "KPX-T120" (optionnel) facilite le câblage de la chaîne.

- Lorsqu'on ajoute un subwoofer à l'ensemble du système de haut-parleur.



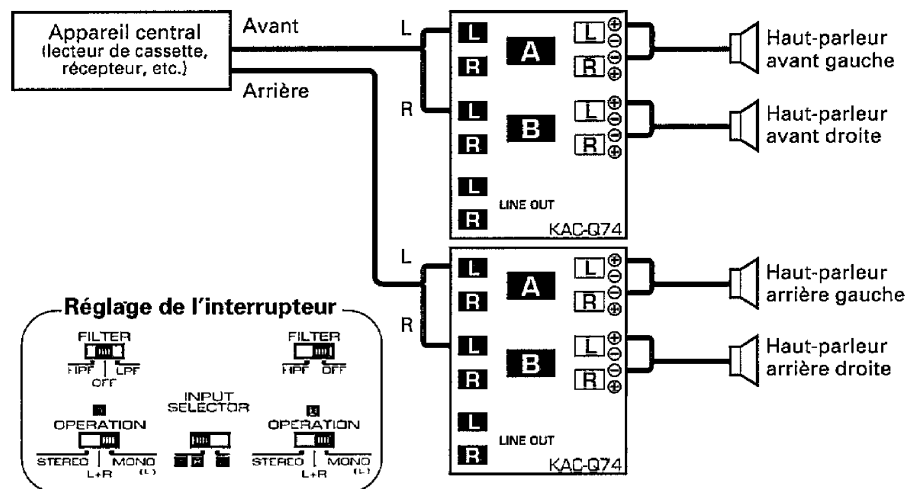
- Le subwoofer n'est pas affecté par les commandes sur l'appareil central.

# Exemple de configuration

Le jeu des combinaisons de position des commutateurs et des fonctions du KAC-Q74 permet une grande diversité de configuration de la chaîne audio.

## ■ Exemple 1

En combinant deux KAC-Q74, on obtient une chaîne 4-voies à très grande puissance d'amplification.



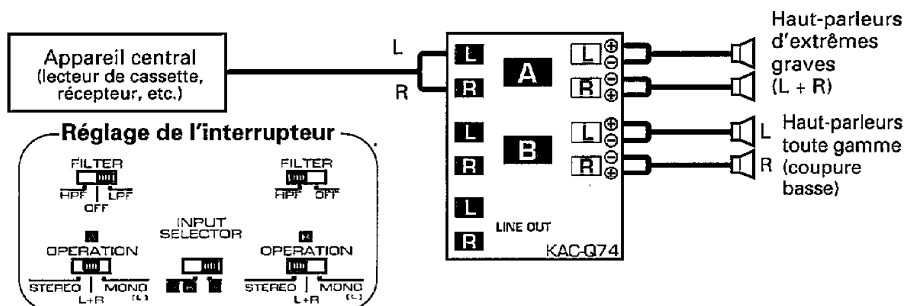
- Les égaliseurs graphiques des amplificateurs A et B doivent être réglés au même niveau.



## ■ Exemple 2

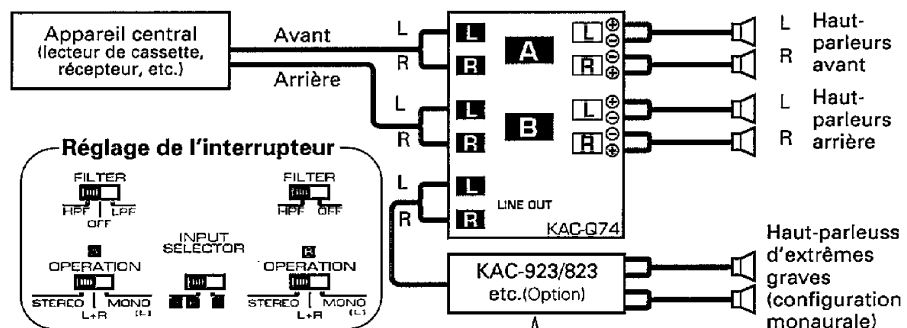
Un seul KAC-Q74 permet de monter un système de type amplificateurs multiples

La source est raccordée en entrée de l'amplificateur A qui comporte en sortie un haut-parleur d'extrême grave pour les fréquences égales ou inférieures à 80 Hz. L'amplificateur B est associé à des haut-parleurs pleine gamme et son filtre passe-haut est mis en service pour la restitution des fréquences égales ou supérieures à 80 Hz.



## ■ Exemple 3

Il est facile d'ajouter un autre amplificateur grâce aux prises de sortie de ligne LINE OUT.



- Mettre le commutateur LOW PASS FILTER sur MARCHE et le réglage FREQUENCY sur 90Hz.
- Utiliser un amplificateur de puissance doté d'un réglage de filtre passe-bas (KAC-1023/923/823 etc.).
- Pour le détail des raccordements entre appareils, du raccordement de l'alimentation, etc., prière de se reporter au modo d'emploi fourni avec l'amplificateur.

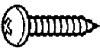
# Procédure d'installation

1. Retirer la clé de contact et débrancher la borne négative (-) de la batterie pour éviter les court-circuits.
2. Raccorder les câbles d'entrée et de sortie de l'appareil.
3. Raccorder les câbles de haut-parleur.
4. Raccorder le fil de masse et le câble d'alimentation du faisceau de fils dans cet ordre.
5. Monter l'appareil dans la voiture.
6. Raccorder la borne négative (-) de la batterie.

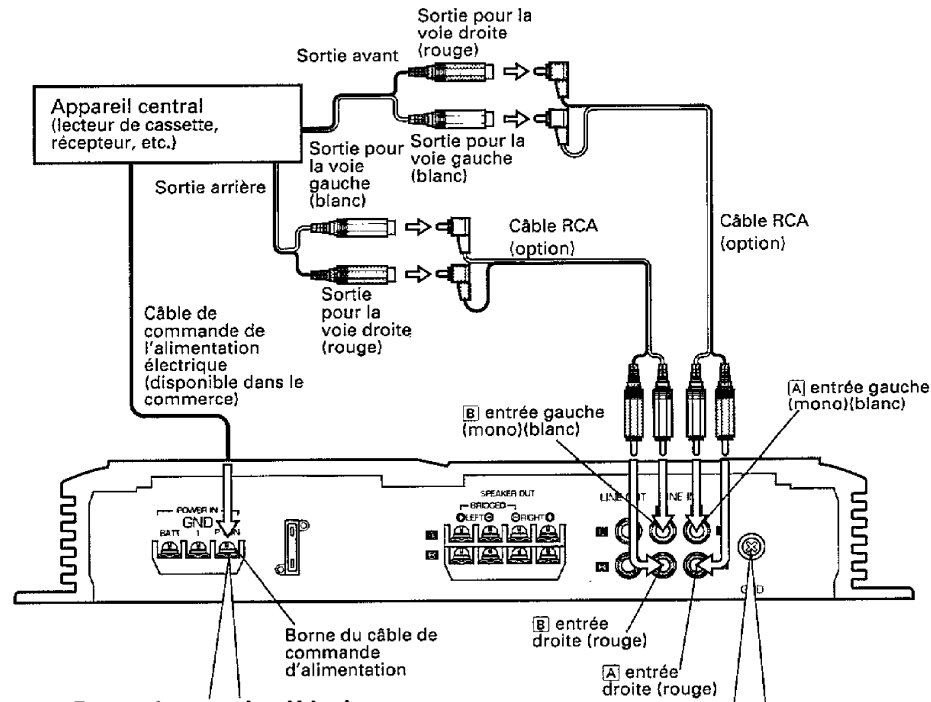
## **▲PRECAUTION**

- Si le fusible saute, vérifier si les câbles ne sont pas court-circuités, et remplacer le fusible par un autre fusible de même capacité nominale.
- Raccorder séparément les câbles de haut-parleur aux connecteurs de haut-parleur appropriés. La mise en commun du câble négatif d'un haut-parleur ou des fils de masse des haut-parleurs à la carrosserie métallique de la voiture pourrait rendre l'appareil inopérant.
- Après l'installation, vérifier que les voyants de frein, les clignotants et les essuie-glace fonctionnent correctement.

# Accessoires

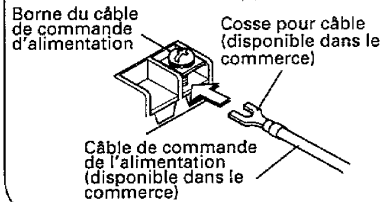
Nom de la pièce	Vue extérieure	Quantité
Vis taraudeuse ( $\phi$ 4 x 20mm)		4

# Raccordement des divers appareils



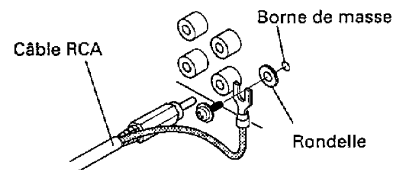
## Raccordement du câble de commande de l'alimentation

- Raccordement à cette borne le câble de commande de l'alimentation de l'appareil central.



## Borne de masse pour câble RCA

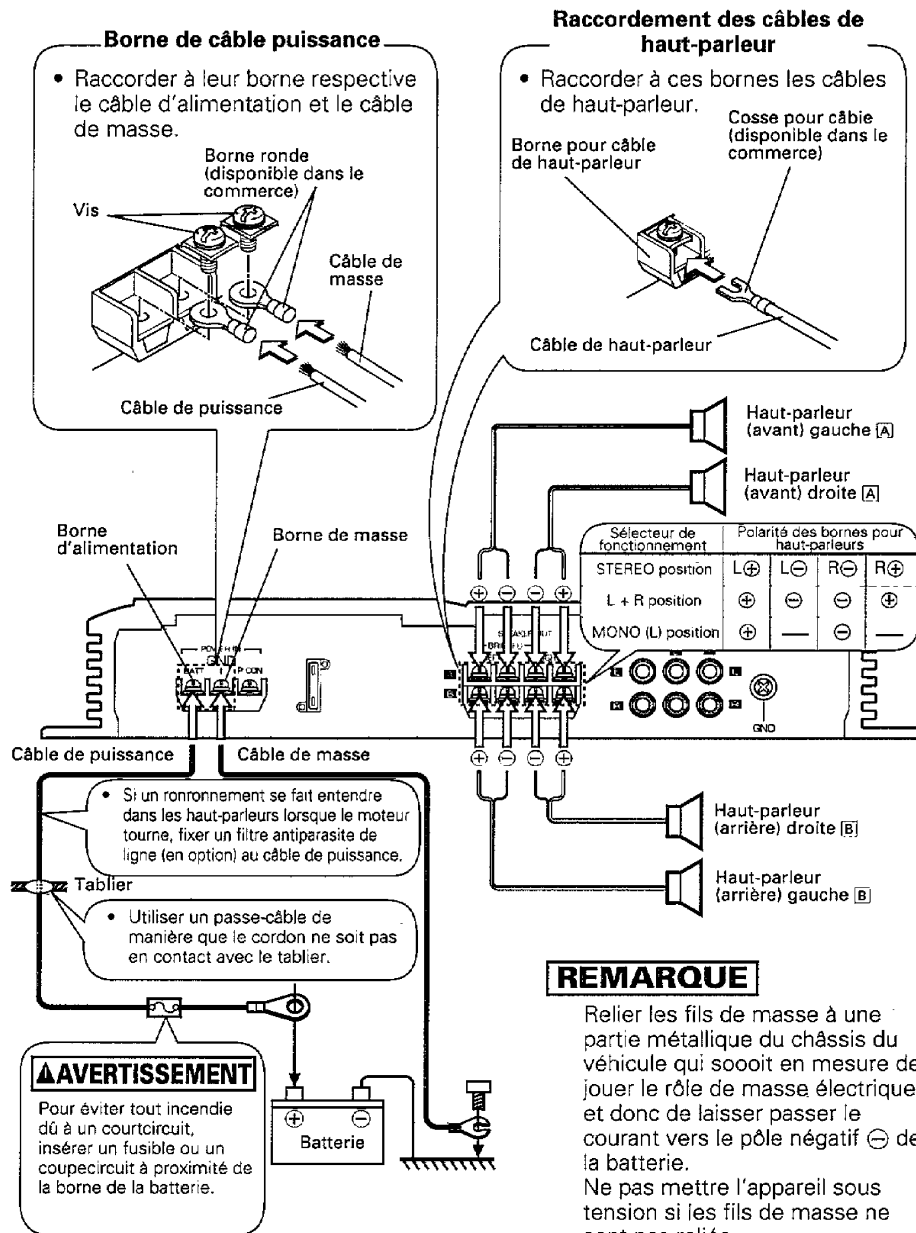
- Si on utilise un câble RCA muni d'un fil de masse, relier le fil de masse à cette borne.



## REMARQUE

Ne pas utiliser cette borne pour la mise à la masse de l'alimentation. Cet appareil ne fonctionne pas si le fil de masse de la source d'alimentation est relié à cette borne.

## Raccordement des câbles pour haut-parleurs et des câbles d'alimentation

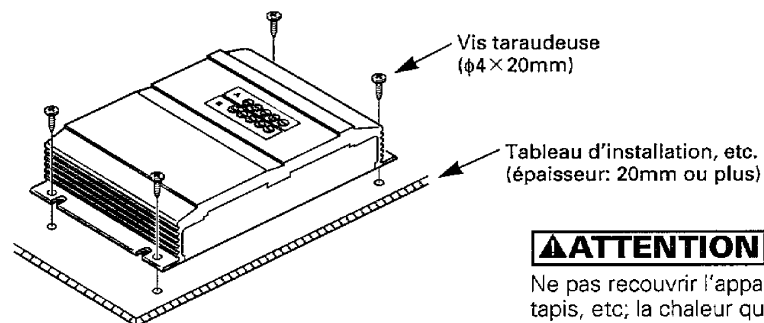


### REMARQUE

Relier les fils de masse à une partie métallique du châssis du véhicule qui sooit en mesure de jouer le rôle de masse électrique et donc de laisser passer le courant vers le pôle négatif ⊖ de la batterie.  
Ne pas mettre l'appareil sous tension si les fils de masse ne sont pas reliés.

# Montage de l'appareil

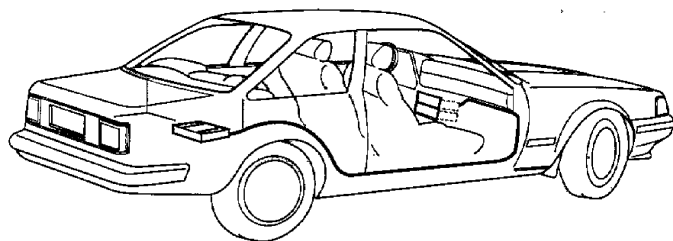
## ■ Installation



### **⚠ ATTENTION**

Ne pas recouvrir l'appareil d'une nappe, tapis, etc; la chaleur qui s'accumulerait risque d'endommager l'appareil.

## ■ Emplacement



- Comme l'amplificateur principal ne nécessite aucun réglage, il pourra être installé à l'écart du siège du conducteur.  
Les positions telles que l'intérieur du coffre à bagages sont généralement utilisées pour l'installation de l'amplificateur principal.

### **⚠ ATTENTION**

- Installer cet appareil à un emplacement tel que la chaleur puisse se dissiper aisément. Après l'installation, ne placer aucun objet sur l'appareil.
- Après installation de l'appareil, s'assurer que les différents équipements électriques tels que lampes frein et les clignotants de direction fonctionnent normalement.
- Fixer soigneusement l'appareil à un emplacement qui ne gêne en rien la conduite.

# Guide de dépannage

Bien souvent, ce qui semble un mauvais fonctionnement de l'appareil est dû à une manipulation erronée de l'utilisateur. Avant de faire appel au réparateur, passer la tableu suivant en revue.

Symptôme	Cause	Solution
Absence de sons. (Pas de son d'un côté)	Un câble de haut-parleur est déconnecté.	Refaire les raccordements des câbles de haut-parleur.
Niveau de sortie trop faible. (ou trop fort)	La commande de réglage de la sensibilité d'entrée n'est pas amenée sur la bonne position.	Faire le réglage correctement en se reportant aux indications données en "Argument 2-Souplesse d'emploi".
La qualité sonore est mauvaise. (Le son est distordu.)	Les câbles de haut-parleur ont été raccordés en inversant la polarité ⊕/⊖.	Raccorder correctement en respectant les indications ⊕ et ⊖ des bornes et des câbles.
	Un câble de haut-parleur est pincé par une vis dans le châssis de la voiture.	Rebrancher le câble de haut-parleur en évitant tout pincement.
Bruit de fond.	Le niveau est réglé trop haut dans les bandes des hautes fréquences des égaliseurs graphiques.	Régler les égaliseurs graphiques au niveau optimale.
Pas de son au haut-parleur d'extrême grave. (ou son trop faible)	Le niveau est réglé trop bas dans les basses fréquences des égaliseurs graphiques.	Hausser le niveau dans les bandes basses fréquences des égaliseurs graphiques.

# Fiche technique

Les spécifications sont sujettes à modifications sans préavis.

## Section audio

Puissance de sortie max (4 $\Omega$ )	
Mode 4 canaux .....	80 W $\times$ 4
Mode 3 canaux .....	80 W $\times$ 2 + 180 W
Mode 2 canaux .....	180 W $\times$ 2
Puissance de sortie nominale (4 $\Omega$ )	
Mode 4 canaux .....	40 W $\times$ 4 (20 Hz~20 kHz, moins de 0.08% D.H.T)
Mode 3 canaux .....	40 W $\times$ 2 (20 Hz~20 kHz, moins de 0.08% D.H.T) + 110 W $\times$ 1 (1 kHz, 0.8% D.H.T)
Mode 2 canaux .....	110 W $\times$ 2 (1 kHz, 0.8% D.H.T)
Puissance de sortie nominale (2 $\Omega$ )	
Mode 4 canaux .....	55 W $\times$ 4 (1kHz, 0.8% D.H.T)
Réponse en fréquence .....	6 Hz~65 kHz (-3dB)
Rapport signal/bruit.....	100 dB
Sensibilité (Max) .....	0.15 V (puissance nominale)
Sensibilité (Min) .....	3.0 V (puissance nominale)
Impédance d'entrée .....	10 k $\Omega$
Facteur d'amortissement (100 Hz) .....	More than 100
Fréquence du filtre pass-haut (Amp A, B).....	80 Hz (12 dB / oct.)
Fréquence du filtre pass-bas (Amp A) .....	80 Hz (18 dB / oct.)

## Egaliseur

Fréquences centrales de l'égaliseur .....	50 Hz, 200 Hz, 800 Hz, 3.2 kHz, 12.8 kHz
Gamme d'égalisation .....	-10 ~ + 10 dB

## Données générales

Tension de fonctionnement.....	14.4 V (11~16 V admissible)
Consommation 1 kHz, 10% D.H.T .....	28 A
Dimensions (L $\times$ H $\times$ P) .....	280 $\times$ 50 $\times$ 310 mm (11 $\times$ 1-15/16 $\times$ 12-3/16 in.)
Poids .....	3.3 kg (7.2 lb)

KENWOOD